



ASA DRILLING LIMITED

***Your One-Stop Shop for All  
Drilling Needs***

# ASA Drilling Limited

- Dealers of quality drilling consumables
- Suppliers of Genuine Spare Parts
- Can offer extensive range of products for the following industries;
  - Mining
  - Oil & Gas
  - Geothermal
  - Quarrying
  - Mineral Exploration
  - Tunneling
  - Construction

# Genuine/OEM Spares Offered for



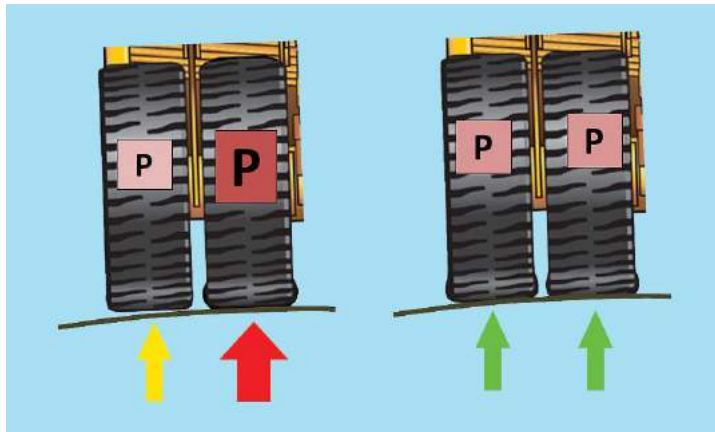


ASA DRILLING LIMITED

# We are official distributors for



# TireLink



- **WITHOUT TireLink**
- **Unequal pressure.**
- **Unequal load.**
- **Reduced life.**

- **WITH TireLink**
- **Equal pressure.**
- **Equal load.**
- **Longer life..**

- TireLink equalizes the inflation pressure across dual tires
- This helps to avoid damaging rapid and irregular wear patterns commonly found in dual tyre positions, allowing them to work as one and the same tyre.
- TireLink's balance circuit will be cut in the event of a blowout or leak, ensuring that the undamaged tire remains fully operable with negligible pressure loss.
- TireLink has a unique valve system allowing independent high volume inflation of both tires during mounting and simultaneous central airing of both tires during maintenance.

# KTB Rust Eliminator & Lube

Rust Eliminator and Lube is much more than just a bead lube.

As a Rust Eliminator, it will keep the entire inside of the wheel free of rust. No more wheels rusting to the bead of the tire.

Keeps O-ring grooves rust free for better air retention and reduces preparation time for mounting.

As a **Coolant** KTB will keep you tires running cooler under the heavy demands of today's mining and construction operations.

A cooler running tire means longer lasting tires and that will help you achieve a better return on your tire investment



- KTB Rust Eliminator & Lube is a non-fiber fluid that is endorsed by the **EPA**.
- Although it is non-fiber, it will help prevent bead leaks and stop vent leaking.
- KTB also has conditioners to help keep the tire liner pliable thus helping to maintain air pressure.



- RC Hammers for Mineral Exploration



- DTH Hammers for:
  1. Blast Hole / Mining
  2. Deep Hole (Oil & Gas)
  3. Geothermal
  4. Construction

- HDD Hammers



## Anything & Everything for Rock Drilling



### Application:

1. Mining
2. Tunneling
3. Quarrying
4. Construction







- 1" to 14" Dia DTH Hammers

Large Diameter DTH Hammer:

- 18" to 32" Dia DTH Hammers
- Upto 43" Dia Drill Bits



- 5" RC Hammer

- Eccentric and Concentric OBS





## Diamond Coring for Exploration;

- Impregnated Diamond Bits
- Surface Set Coring Bits
- Geotechnical Core Bits
- Tungsten Carbide Core Bits
- Casing Shoes
- Reaming Shells

- All Sizes and All Matrices.

- Drill Rods for DTH, Rotary and RC
- Piling Casings
- All Drill Accessories



1. Grout Pumps
2. Grout Mixers
3. Agitation tanks and mixers
4. Bentonite Lubrication Units
5. Mud Pumps



Wireline rods & Coring Accessories



Tricone Bits



PDC Bits

# We Also Offer



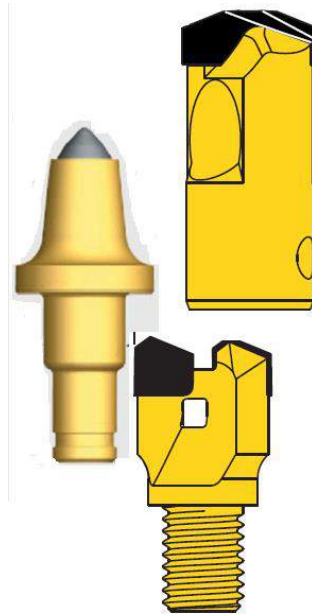
Integral Drill Steel

Bit Grinders



Contractors Tools

Rock Breaker Consumables



Underground Mining Tools

Undercarriage Parts





ASA DRILLING LIMITED

# Contact Information

ASA Drilling Limited  
Sahaj Anand Business Centre  
10, Park Place  
Manchester, M4 4EY  
United Kingdom  
Tel: +44 (0) 161 870 6510  
Email: [sales@asadrilling.co.uk](mailto:sales@asadrilling.co.uk)

Reach Abhishek Kumar on +44 7741 485578

Company Registered in England & Wales vide Number 07934134; VAT: 129251422

Assuring you of our best services and  
attention at all times.

Hoping for a long lasting business  
relationship, we politely

**THANK YOU**